

Rittal – The System.

Faster – better – everywhere.

Digital Brochure

ENCLOSURES

POWER DISTRIBUTION

CLIMATE CONTROL

IT INFRASTRUCTURE

SOFTWARE & SERVICES

FRIEDHELM LOH GROUP

www.rittal.ca



Rittal – The System.

Faster – better – everywhere.



System Accessories

Base/Plinth

Flex-Block Base/Plinth System	424
TS Base/Plinth	426
Base/Plinth	433

Base

Base	435
------------	-----

Walls

Sidewalls	450
Partition Walls	453
Interconnect Kit	458

Baying Systems

Baying	460
--------------	-----

Doors/Locks

Door Models	467
Expansion Accessories for TS Modular Front Design	469
Viewing Windows/Operating Panels	473
Lock Systems	478
Hinges	492
Door, External/Internal	493

Roof/Wall Mounting

Roof	499
Wall Mounting	503

Interior Fittings

Mounting Plates	507
Rail Systems	514
Assembly Components	533
Component Shelves	540
System Lights	545
EMC	551
Interior Fittings for Areas at Risk of Earthquake	554
Grounding	555

Cable Routing

Cable Entry	561
Flange Plates	564
Cable Gland	568
Cable Gland	569
Cable Management	572
Cable Routing 19"	582

19" Installation System

Pivoting Frame	587
Accessories for Data Rack	591
Profile Rails	592
Slide Rails	596
19" Fittings	598
Patch Panels	603
Splicing Boxes	604

Human/Machine Interface

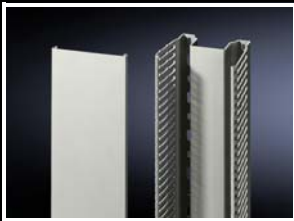
Handles	605
External Mounting Accessories	607
Front Fittings	608
Keyboards, Supports and Drawers	610
Interfaces	617
Signal Pillars	619

Technical Information

RittalXpress	622
CE/Grounding/HD/Model Numbers	623
Protection Categories	624
NEMA	625
Approvals/Equipment Grounding Conductor	627
Coating/Spray Finish	628



Cable Management



Cable duct

for vertical TS profile

Mounted directly on vertical TS enclosure profile.

Width 50 mm,

for mounting on a vertical enclosure profile in the side panel area.

Width 100 mm,

for mounting on two bayed enclosure profiles in the baying area. Baying brackets and quick-fit baying connectors that have already been fitted can be covered over with the cable duct.

The nominal break points of the bars are designed in combination with the cable ducts for mounting plates, and a further nominal break at the level of the mounting plate allows direct entry to the cable duct.

The cable duct fastening points are co-ordinated with the TS system hole pattern, eliminating time-consuming drilling work as would be necessary with DIN ducts.

Height inches (mm)	Width inches (mm)	Packs of	Model No.
63 (1600)	2 (50)	8 set(s)	8800.570
71 (1800)	2 (50)	8 set(s)	8800.520
63 (1600)	4 (100)	4 set(s)	8800.540
71 (1800)	4 (100)	4 set(s)	8800.510

Technical description:

- Depth: 80 mm
- Length: 1600 mm (for enclosure height 1800 mm)
1800 mm (for enclosure height 2000 mm)
Can be shortened for other enclosure dimensions
- Bar width: 5.5 mm
- Slot width: 4.5 mm

Material:

- Hard PVC
- Flame-resistant, self-extinguishing
- Temperature resistant to +140°F

Color:

- Similar to RAL 7030

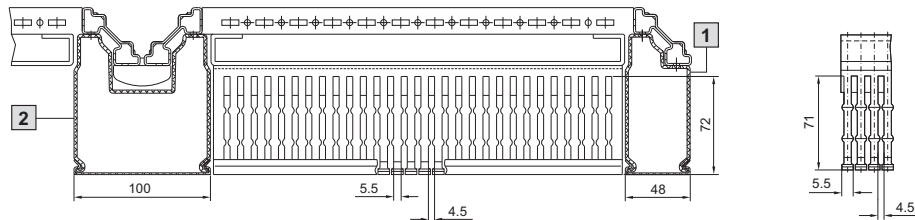
Supply includes:

- 1 set =
1 cable duct with cover



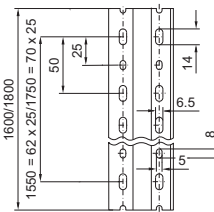
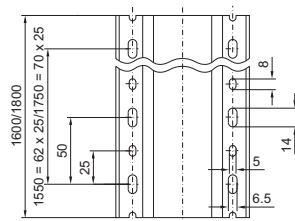
Accessories:

- Aluminum rivet for fastening, see page 573



1 8800.570/8800.520

2 8800.540/8800.510



Cable duct

for mounting plate

- Suitable for the cable ducts for vertical TS profiles
- If the TS mounting plate is installed in the rear-most position, the horizontally mounted cable ducts are flush with the vertical ones
- For external mounting on surfaces

Technical description:

- Depth: 80 mm
- Length: 2000 mm, can be cut to length
- Bar width: 5.5 mm
- Slot width: 4.5 mm

Material:

- Hard PVC
- Flame-resistant, self-extinguishing
- Temperature resistant to +140°F

For enclosure width inches (mm)		Standard length 79" (2000 mm)
Length (L) inches (mm)		
Width (B) inches (mm)	Packs of	Model No.
1.2 (30)	24 set(s)	8800.750
1.6 (40)	20 set(s)	8800.751
2.4 (60)	18 set(s)	8800.752
3.2 (80)	12 set(s)	8800.753
4 (100)	12 set(s)	8800.754

Color:

- Similar to RAL 7030

Supply includes:

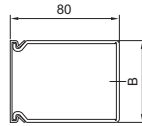
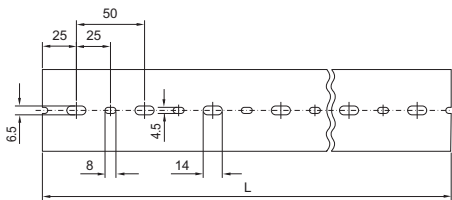
- 1 set =
1 cable duct with cover



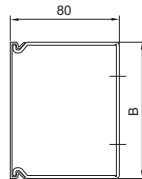
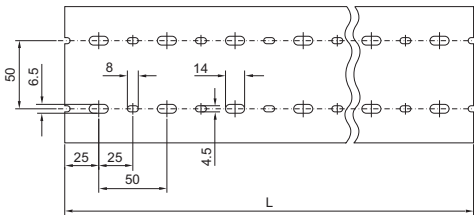
Accessories:

- Aluminum rivet for fastening, see page 573

Width 30, 40 and 60 mm



Width 80 and 100 mm



Aluminum rivet

For the secure mounting of cable ducts. Also for fastening support rails and punched rails.

Suitable for

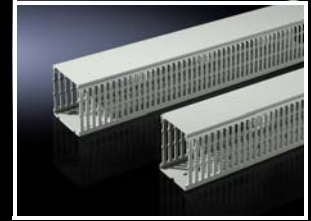
- TS system punchings
- Holes Ø 4.5 mm

Packs of	Model No.
100 pc(s).	8800.531



Accessories:

- Cable ducts for vertical TS profile, see page 572
- Cable ducts for mounting plate, see page 573



Cable Management



Cable clamp rails

Angle profile for TS, SE, PC, TS base/plinth, Flex-Block
Provides strain relief for cable entries. Depth-variable mounting in 25 mm hole pattern on the horizontal enclosure profile or in the TS base/plinth/Flex-Block.

Material:

- Steel

Surface finish:

- Zinc-plated

Supply includes:

- Assembly components

Enclosure width inches (mm)	Length inches (mm)	Packs of	Model No.
16 (400)	15 (385)	2 pc(s).	4193.000
24 (600)	23 (585)	2 pc(s).	4191.000
32 (800)	31 (785)	2 pc(s).	4192.000
39 (1000)	39 (985)	2 pc(s).	4336.000
47 (1200)	47 (1185)	2 pc(s).	4196.000
63 (1600)	62 (1585)	2 pc(s).	4338.000
71 (1800)	70 (1785)	2 pc(s).	4339.000

+ **Accessories:**

- Fastening bolts for TS base/plinth, see page 430
- Quick-assembly block 4133.000 for Flex-Block, see page 536
- 23 x 23 mm punched rails for Flex-Block, see page 527



Cable clamps

for cable clamp rails
To fasten cables to cable clamp rails.

Material:

- Carbon steel

Surface finish:

- Zinc-plated

Supply includes:

- Plastic insert

For cable diameter mm	Packs of	Model No.
6 - 12	25 pc(s).	2350.000
12 - 16	25 pc(s).	2351.000
14 - 18	25 pc(s).	2352.000
18 - 22	25 pc(s).	2353.000
22 - 26	25 pc(s).	2354.000
26 - 30	25 pc(s).	2355.000
30 - 34	25 pc(s).	2356.000
34 - 38	25 pc(s).	2357.000
38 - 42	25 pc(s).	2358.000
42 - 46	25 pc(s).	2359.000
46 - 50	25 pc(s).	2360.000

⇄ **Possible alternative:**

- Rails for EMC cable clamp and strain relief, see page 551



Cable clamp rails

C rail, for mounting plates for TS, SE, CM, TP
Provides strain relief for cable entries. The length of the cable clamp rail is matched to the width of the mounting plate. Three different installation scenarios are possible on the mounting plate using the mounting brackets included with the supply:

- 1 straight, at a distance of 23 mm from the mounting plate
- 2 straight, at a distance of 10 mm from the mounting plate
- 3 inclined, towards the mounting plate

Material:

- Carbon steel

Surface finish:

- Zinc-plated

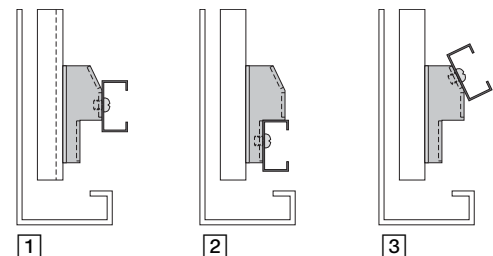
Supply includes:

- Two mounting brackets and assembly screws

For enclosure width inches (mm)	Length inches (mm)	Packs of	Model No.
24 (600)	20 (499)	1 pc(s).	5001.080
32 (800)	28 (699)	1 pc(s).	5001.081
39 (1000)	35 (899)	1 pc(s).	5001.082
47 (1200)	43 (1099)	1 pc(s).	5001.083

+ **Accessories:**

- Cable clamps for C rails, see page 575



Cable clamping bracket

For installation in command panel with
 □ 120 x 65 mm and 130 mm mounting cut-out.
 Cable clamping either using

- Cable clamps
- or
- Cable ties 2597.000
- Standard cable ties

Bracket height = 25 mm with fitted C rail 40 mm

Material:

- Carbon steel

Surface finish:

- Zinc-plated

Supply includes:

- C rail and assembly screws

Packs of	Model No.
1 set(s)	6052.000

+ Accessories:

- Cable clamps, see page 575
- Cable ties, see page 576



Cable clamps

for C rails

To fasten cables to the C rails.

Material:

- Carbon steel

Surface finish:

- Zinc-plated

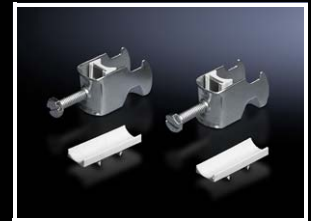
Supply includes:

- Plastic insert

For cable diameter mm	Packs of	Model No.
6 - 14	25 pc(s).	7077.000
12 - 18	25 pc(s).	7078.000
18 - 22	25 pc(s).	7097.000
22 - 26	25 pc(s).	7097.220
26 - 30	25 pc(s).	7097.260
30 - 34	25 pc(s).	7097.300
34 - 38	25 pc(s).	7097.340
38 - 42	25 pc(s).	7098.000
42 - 56	25 pc(s).	7098.100
56 - 64	25 pc(s).	7099.000

+ Accessories:

- C rails, see page onwards 528



Cable conduit and cable conduit holder

For secure cable routing e.g. from the enclosure or mounting plate to the door. A fastening facility is provided on the cable conduit holder for standard, commercially available cable ties, which can fasten the cables upon entry to/exit from the cable conduit.

Material:

- Cable conduit: Polyethylene
- Cable conduit holder: Polyamide

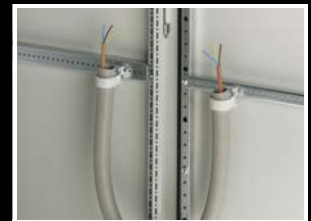
Cable conduit

Ø internal mm	Packs of	Model No.
16	984" (25 m)	2595.000
29	984" (25 m)	2589.000
36	984" (25 m)	2596.000
48	984" (25 m)	2590.000

Cable conduit holder

For cable conduit Ø mm	Packs of	Model No.
16	20 pc(s).	2593.000¹⁾
29	20 pc(s).	2591.000¹⁾
36	20 pc(s).	2594.000
48	20 pc(s).	2592.000

¹⁾ Installation in AE compact enclosures with universal bracket 2373.000, see page 537



Cable Management



Cable attachment

For professional, secure fastening of cables and conduits.

To mount

- slide into 23 x 23 mm punched rail
- screw into round punchings in the enclosure and to all types of punched rail or chassis

Material:

- Polyamide

Note:

- The attachments can be bayed to allow several fastening attachments, even those of different sizes, to be assembled using just two screws

For cable diameter from – to mm	Packs of	Model No.
6 – 9	50 pc(s).	4319.090
9 – 12	50 pc(s).	4319.120
12 – 16	50 pc(s).	4319.160
16 – 20	50 pc(s).	4319.200

! Also required:

- M5 x 12 mm countersunk screw, 2488.000, screwed to the round system punchings, see page 539

+ Accessories:

- 23 x 23 mm punched rail, see page 527



Cable ties

Bundles and fastens cables to the enclosure section or mounting system parts. Simply clip into the round system punchings.

Length inches (mm)	Packs of	Model No.
6 (150)	100 pc(s).	2597.000



Hook and loop fastener

The hook and loop fastener allows for easy release of secured cables and individual cables can be added or removed. Ideal for sensitive data cables (fiber optic/Cu), prevents cable sheathing indentation.

The hook and loop fastener can also be screwed to the round system punchings or attached with quick-release fasteners.

Color:

- Black

Supply includes:

- Quick-release fasteners

Width inches (mm)	Length inches (mm)	Max. cable diameter mm	Packs of	Model No.
0.8 (20)	5 (130)	30	10 pc(s).	7072.220
0.8 (20)	8 (200)	50	10 pc(s).	7072.230
0.8 (20)	12 (300)	90	10 pc(s).	7072.240

! Also required:

- Sheet metal screw, 2486.500, screwed to the round system punchings, see page 539



Hook and loop strap

Provides for organized cable routing. Supplied on a reel, can be cut to the required length.

In contrast to cable ties

- protects the cable sheathing
- easy to undo
- reusable

Length inches (mm)	Width inches (mm)	Packs of	Model No.
197 (5000)	0.6 (16)	1 pc(s).	2203.400

Quarter turn hook and loop fastener

- For simple, fast cable attachment
- Tool-free mounting in the system punchings with 10.5 x 12.5 mm, with a quarter rotation
- Direct use on the horizontal TS frame profile, on the depth stays and TS IT profile rails for 19" interior fittings, on the cable tray or system chassis
- Length of hook and loop strap: 420 mm

Material:

- Plastic

Supply includes:

- 10 holders including hook and loop tape

Packs of	Model No.
10 pc(s).	9969.599



Snap-in cable routing

for clipping into the system punchings

Universally applicable cable routing for fast, tool-free assembly.

Latches into place

- user-friendly opening for cable management using clips
- for cable diameters from 14 to 19 mm
- for 6.2 mm system punchings

Material:

- Polyamide 6.6, self-extinguishing to UL 94-V2

Color:

- Natural

Type	Packs of	Model No.
Latches into 6.2 mm system punchings	10 pc(s).	7111.300



Cable manager

- For system-compatible cable deflection in compliance with minimum bending radii, and to accommodate surplus cables and excess length. The elements may optionally be used individually or in combination for cable routing. They can be combined to make semicircular or circular elements.
- Supports use on corners and edges to allow protected cable routing around them
- Mounting clips for use above the arc hold the routed cables back within the elements. The elements are bayable in an axial direction to allow U-based cable routing to the mounting level, or channeling of the bundled cables.

Material:

- Plastic, UL 94-V0

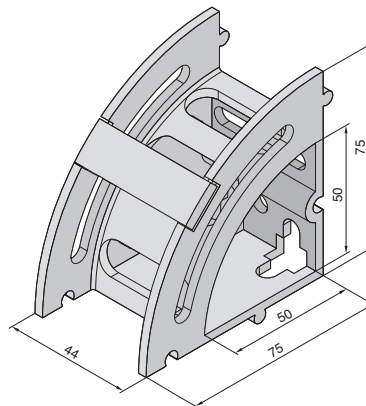
Color:

- RAL 9005

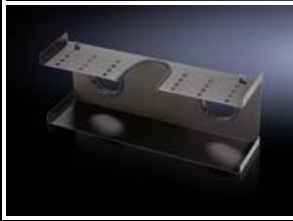
Supply includes:

- Mounting clips and assembly components

	Packs of	Model No.
Maxi kit	20 pc(s).	5502.405



Cable Management



Roof cable manager

Allows for easy cable routing outside the enclosure. Tool-free fixing to roof using 2 snap-on rings and existing cable entries on the enclosure roof. The square system punchings enables the use of cable management retaining claws and rings.

Material:

- Carbon steel

Surface finish:

- Textured paint

Color:

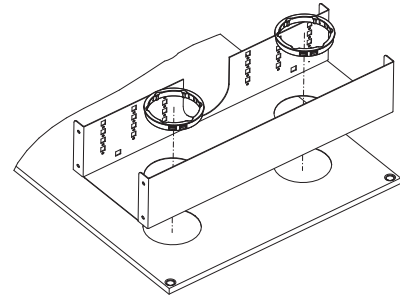
- Black



Also required:

- End covers 9970.260, see page 578

Width inches (mm)	Packs of	Model No.
24 (600)	1 pc(s).	9970.254



Roof cable manager

Designed for the installation of a cable routing bar conductor

Allows for easy cable routing outside the enclosure. Tool-free fixing to roof using 2 snap-on rings and existing cable entries on the enclosure roof. The square system punchings enables the use of cable management retaining claws and rings. Designed for the installation of a cable routing bar conductor.

Material:

- Carbon steel

Surface finish:

- Textured paint

Color:

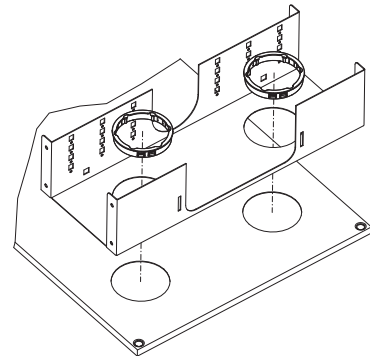
- Black



Also required:

- End covers 9970.260, see page 578

Width inches (mm)	Packs of	Model No.
28 (700)	1 pc(s).	9970.266



End covers

for roof cable manager

Tool-free fixing of end covers for roof cable manager.

Material:

- Carbon steel

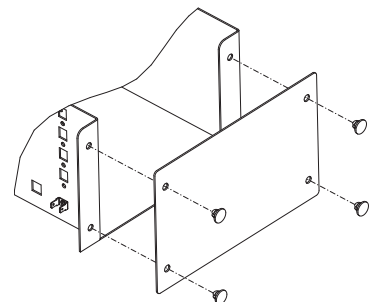
Surface finish:

- Textured paint

Color:

- Black

Packs of	Model No.
2 pc(s).	9970.260



Cable routing bracket

For flexible, system-compatible cable routing on the side of 19" (482.6 mm) profile rails.

Material:

- Steel

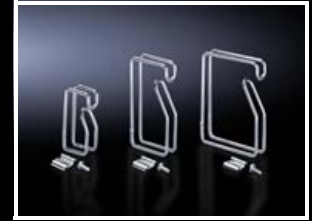
Surface finish:

- Zinc-plated

Supply includes:

- Mounting accessories

Dimensions inches (mm)	Packs of	Model No.
5 x 3 (125 x 85)	10 pc(s).	7111.900
5 x 3 (125 x 65)	10 pc(s).	7111.000
3 x 2 (85 x 43)	10 pc(s).	7112.000



Routing bracket

To accommodate large quantities of cables. Routing bracket for side fastening to 19" (482.6 mm) profiles in 800 mm wide network enclosures. The bracket is attached asymmetrically, creating approx. 110 mm of free space in front of the 19" level. This allows even large quantities of cables to be effectively managed.

Material:

- Steel

Surface finish:

- Zinc-plated

Supply includes:

- Assembly components

Dimensions inches (mm)	Packs of	Model No.
13 x 4/3 (330 x 90/70)	4 pc(s).	7220.600



Cable management panel

for TS, TS IT

For cable management and the storage of cables in the zero-U-space. Several fastening points for cable management accessories using tool-free quick-release fastening and PDU mounting locations. The panel is securely fastened to the frame.

Material:

- Carbon steel

Surface finish:

- Textured paint

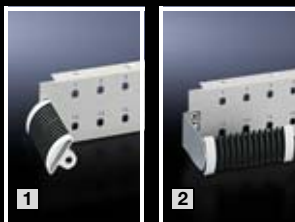
Color:

- RAL 9005

Dimensions inches (mm)	Packs of	Model No.
79 x 8.5 (2000 x 215)	10 pc(s).	9978.360
87 x 8.5 (2200 x 215)	10 pc(s).	9978.361



Cable Management



Fiber optic routing brackets

Fiber optic shunting or jumper cables can be inserted into the grooves of the inner body. A rubber ring holds different fiber optic cables with diameters of up to 4.5 mm. This ensures strain relief and bending radius.

Length: 120 mm

Material:

- Dual compound plastic

Color:

- Exterior: RAL 7035
- Interior: Black

Supply includes:

- 2 rubber bands
- Baying kit
- Mounting accessories

Mounting:

The supplied mounting brackets are suitable for universal use; the fiber-optic cables can be routed to the patch panel in all directions in various mounting positions:

- 1 At the side directly on the patch panel
- 2 In front of the patch panel
- 3 At the side next to the patch panel
- 4 Behind the patch panel

Packs of	Model No.
2 pc(s).	7116.500

➡ Possible alternative:

- Fiber optic cable management panel, 1 U, see page 586



Cable route

for TS

- For cable clamping and routing for network and server applications
- Mounting across the entire depth with 800 mm width, with 600 mm width mounting only behind the second 19" level
- Tool-free quick assembly
- Alternatively suitable for screw-fastening
- Multi-functional punchings for cable management accessories

Material:

- Carbon steel

Color:

- RAL 9005

Height inches (mm)	Packs of	Model No.
79 - 87 (2000 - 2200)	1 pc(s).	5502.120

⊕ Accessories:

- Cable ties, see page 576
- Hook and loop strap, see page 576
- Routing bracket, see page 579
- Cable routing bars, see page 582

Surplus cable holder

Fastened at the rear of the enclosure, or on the side of network enclosures. The surplus cable holder can be attached to any depth stay or chassis and rails with a 25 mm hole pattern with mounting dimensions of 150 mm. Elements may also be joined together.

Material:

– Carbon steel

Color:

– RAL 7035

H x W x D inches (mm)	Packs of	Model No.
6 x 11 x 3 (151 x 280 x 75)	1 pc(s).	7220.500

